



RPT CONNECTORS

HIGH-DENSITY MIL-C-26482 TYPE CONNECTORS
VG95328 QUALIFIED FOR RUGGED MILITARY
AND INDUSTRIAL APPLICATIONS

Introducing RPT Connector Series

R.E.C. is a leader company in electronic and electromechanical field operating in Italy since 1983 and it is specialized mainly in the interconnection domain, R.E.C. represents in Italy multinational companies both European and Overseas specialized in the production of interconnections systems. Firms with a turnover accounting over 700 millions \$ which R.E.C. handles in Italy about € 10 millions.

The Company realizes its own production in two separate factories in Milan and Turin employing about 35 people. Concerning sales organization R.E.C. operates directly with its technical and marketing staff in Milan, Rome, Bologna, Genova and Turin and through agent in the rest of Italy. In Europe R.E.C. has correspondence in Switzerland, Germany, England and France. In the US R.E.C. operates with its own organization in Miami, New York and Las Vegas both selling its own production and also recovering a fast service on electronic components in the American market.

R.E.C. **RPT Series** is realized according to **MIL-C-26482** Series and includes miniature circular connectors with bayonet coupling, available in different sizes, configuration and variety of contact number and voltage.

Generally used in Military and Industrial applications, these connectors are also available with crimp contacts or PCB version.

Possibility of different treatments for shell and contact plating finish. Also many accessories can be ordered in support of connectors

The main markets where R.E.C. is present are Telecommunication, military-aeronautic, industrial automation and so on. R.E.C. operates as exclusive agent for American, European and Japanese firms that produce connectors and wire cables. R.E.C. philosophy is to connect direct customer with suppliers, selling the products from the origin country avoiding all the traditional passages with additional costs.



INDEX

Introducing RPT Connectors pag. 1

Index pag. 2

How to Order pag. 3

Technical Specifications and Deviations pag. 4

Connector Styles and Classes pag. 5

Insert Arrangements Table pag. 6

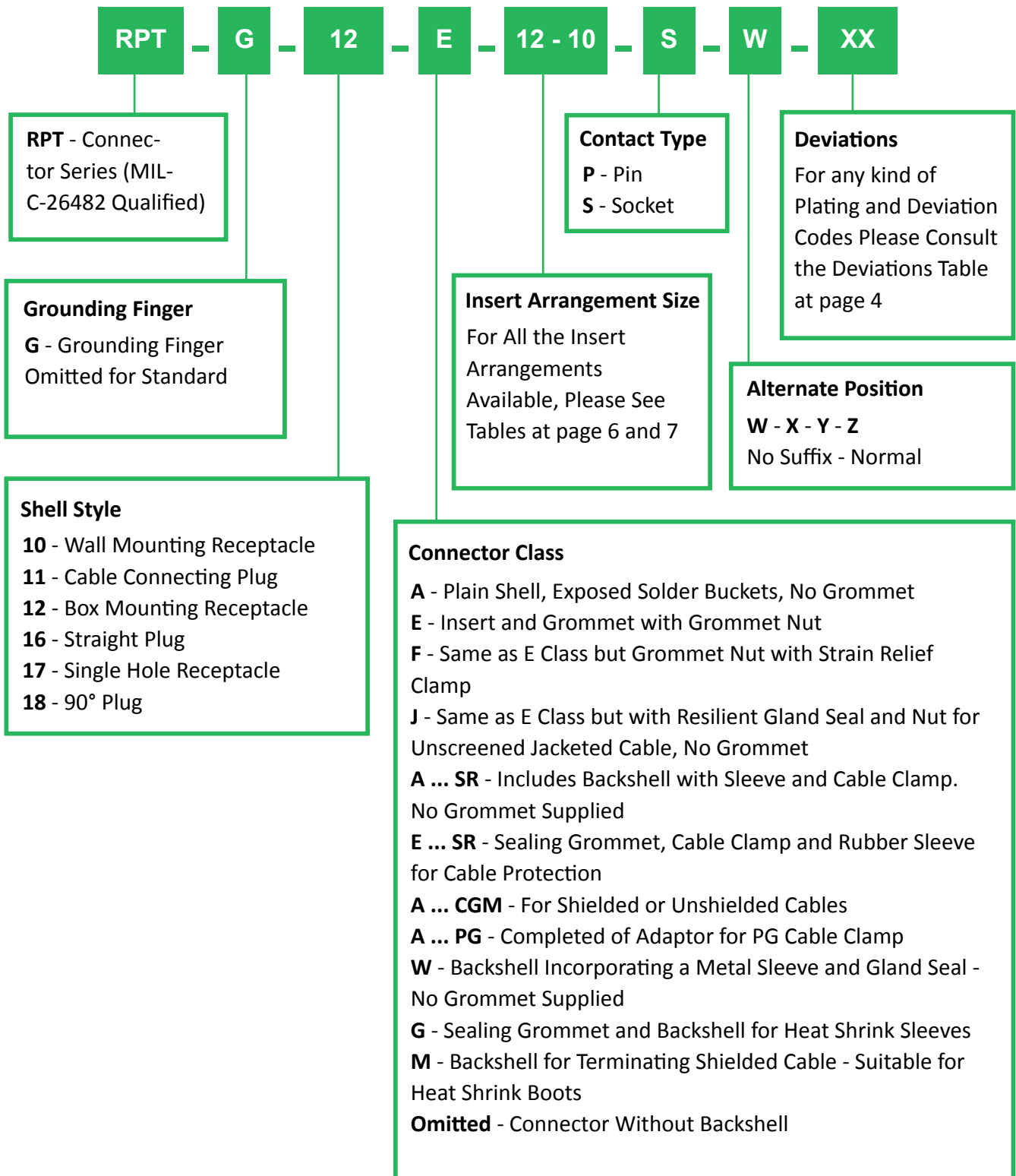
Insert Arrangements
Front View of Pin Inserts pag. 7

RPT Connector Styles pag. 9

RPT Connector Accessories pag. 15



HOW TO ORDER



Part Number example:
RPT 16A 14-19P CGM11

Technical Specification

Material and Surface Treatment

COMPONENT	MATERIAL	RoHS COMPLIANT PLATING
Shell	Aluminum / Stainless Steel / Marine Bronze available	Dark Green Plating, Black Plating, Nickel Plating
Insulator	Rubber	Synthetic Rubber
Contact	Copper Alloy	Silver Plating / Gold Plating

Mechanical Characteristics

MECHANICAL CHARACTERISTICS	VALUES
Insulation	5.000 MOhm min. at 25°C
Temperature Range	-55°C to 125°C
Durability	500 Cycle Connection / Disconnection

Service Rating

CLASS	VOLTAGE RATING AC	VOLTAGE RATING DC	TEST VOLTAGE AC
I	600	700	1.500
II	1.000	1.250	2.300

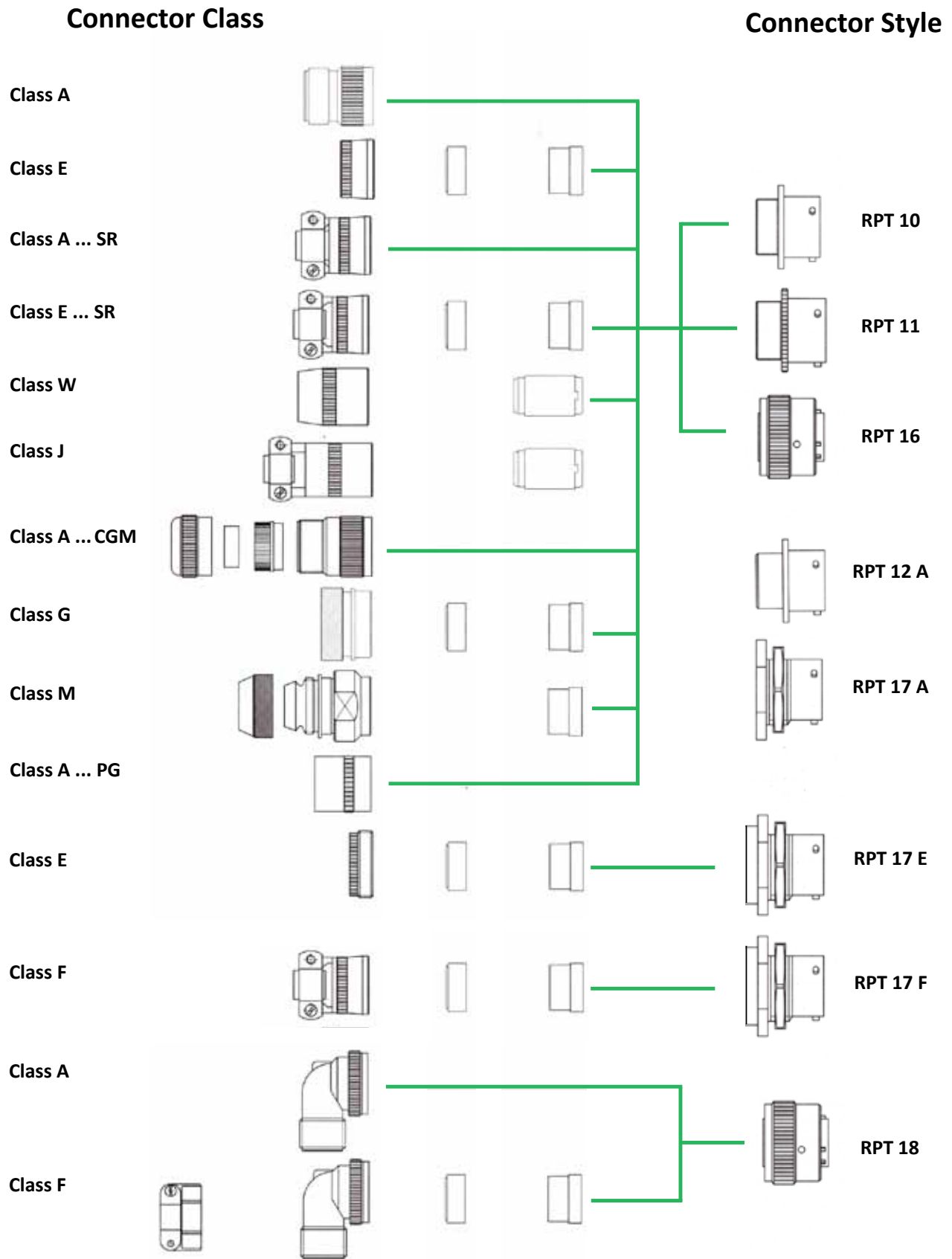
Potential Drop

CONTACT SIZE	TEST CURRENT	POTENTIAL DROP
# 16	13.0 A	21 mV
# 20	7.5 A	25 mV

Deviations

IDENTIFICATION PART NUMBER	PLATING AND CONTACT DESCRIPTION
04	Arctic Coupling Nut, Only for 16 and 18 Shell Style
05	Crimp Contacts
Y	PCB Contact Termination
Y1	PCB Contact Termination
22	Cadmium Free Zinc-Cobalt Plating Olive Drab finish
23	Electrolytic Nickel Plated Hardware - RoHS Compliant
24	Cadmium Free Zinc-Cobalt Plating Black Finish - RoHS Compliant
B, C, E, F	Key Alternates Polarization

CONNECTOR STYLES AND CLASSES



For different or custom Class / Style, please contact the factory

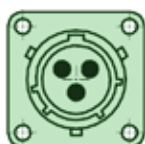
Insert Arrangements Table

INSERT ARRANGEMENT	SERVICE RATING	CONTACT NUMBER	CONTACT SIZE	ALTERNATE POSITION - DEGREE			
				W	X	Y	Z
8-2	I	2	20	58	122	-	-
8-3	I	3	20	60	210	-	-
8-4	I	4	20	45	-	-	-
8-33	I	3	20	90	-	-	-
10-2	II	2	16	-	-	-	-
10-6	I	6	20	90	-	-	-
10-7	I	7	20	-	-	-	-
10-8*	I	8	20	-	-	-	-
12-3	II	3	16	-	-	180	-
12-8	I	8	20	90	112	203	292
12-10	I	10	20	60	155	270	295
12-14	I	14	20	60	155	270	295
14-5*	II	5	16	40	92	184	273
14-12*	I	4 - 8	16 - 20	43	90	-	-
14-15	I	1 - 14	16 - 20	17	110	155	234
14-19	I	19	20	30	165	315	
16-8	II	8	16	54	152	180	331
16-23	I	1 - 22	16 - 20	158	270	-	-
16-26	I	26	20	60	-	275	338
18-11	II	11	16	62	119	241	240
18-32	I	32	20	85	138	222	265
20-16	II	16	16	238	318	333	347
20-27	I	27	20	72	144	216	288
20-41	I	41	20	45	126	225	-
22-21	II	21	16	16	135	175	349
22-55	I	55	20	30	142	226	314
24-31*	I	316	16	-	-	-	-
24-61	I	61	20	90	180	270	324

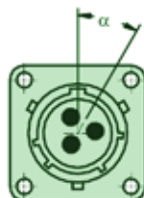
* For all non-standard insert arrangements, please contact the factory

Insert Arrangements Alternate Positions

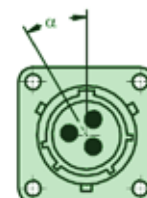
Normal Position



Alternate Position with Pin Contacts

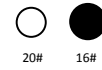


Alternate Position with Socket Contacts

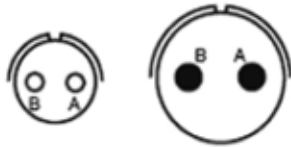


Insert Arrangements - Front View of Pin Inserts

Contact Size Legend



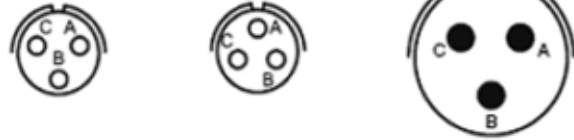
2 Contacts



8 - 2

10 - 2

3 Contacts



8 - 3

8 - 33

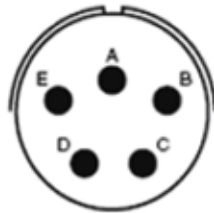
12 - 3

4 Contacts



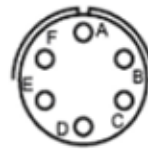
8 - 4

5 Contacts



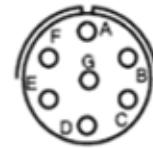
14 - 5

6 Contacts



10 - 6

7 Contacts

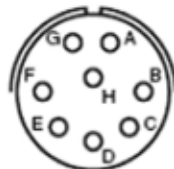


10 - 7

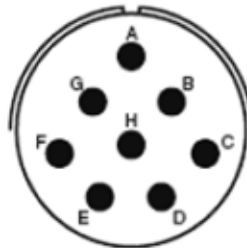
8 Contacts



10 - 8

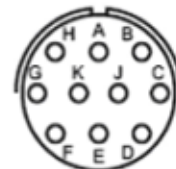


12 - 8



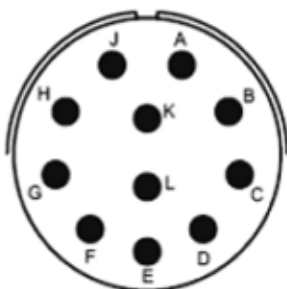
16 - 8

10 Contacts



12 - 10

11 Contacts



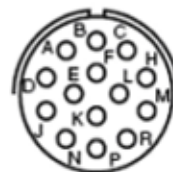
18 - 11

12 Contacts



14 - 12

14 Contacts



12 - 14

15 Contacts



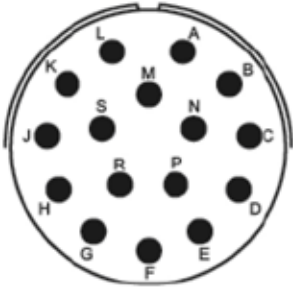
14 - 15

Contact Size Legend

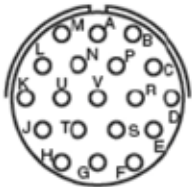


Insert Arrangements - Front View of Pin Inserts

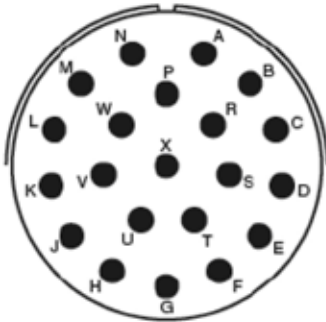
16 Contacts 19 Contacts 21 Contacts 23 Contacts



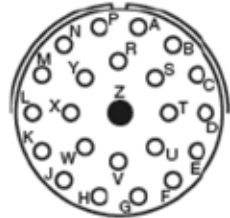
20 - 16



14 - 19

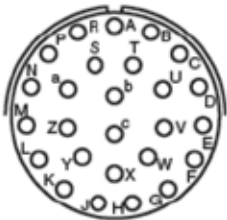


22 - 21

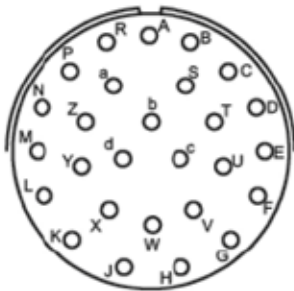


16 - 23

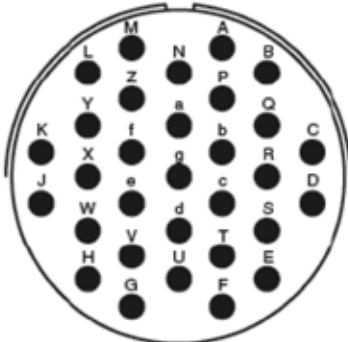
26 Contacts 27 Contacts 31 Contacts 32 Contacts



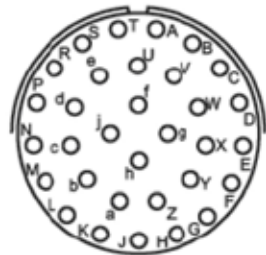
16 - 26



20 - 27

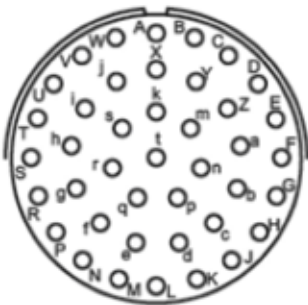


24 - 31

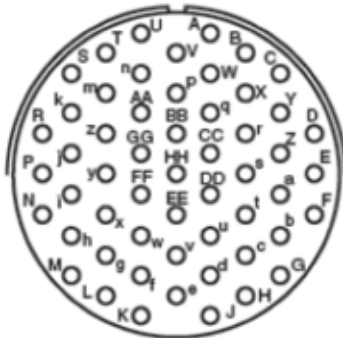


18 - 32

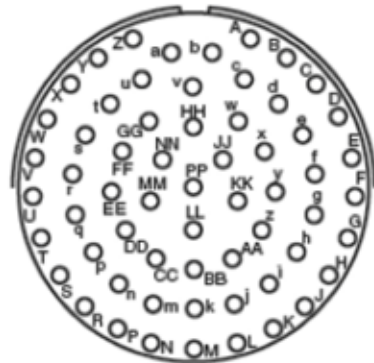
41 Contacts 55 Contacts 61 Contacts



20 - 41



22 - 55



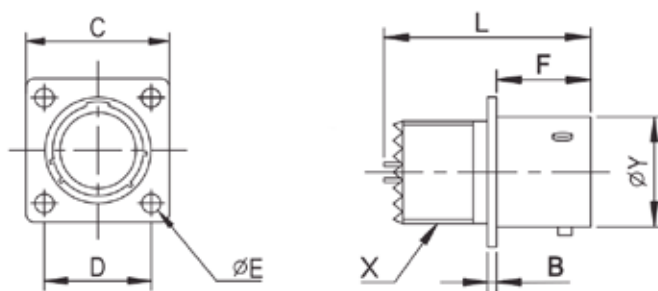
24 - 61

RPT CONNECTOR SERIES - STYLES

RPT 10

Wall Mounting Receptacle

Solder Contacts



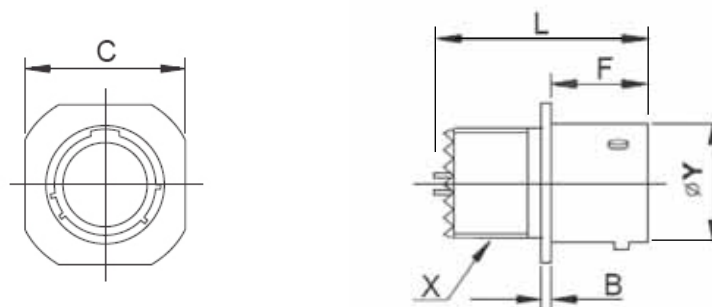
All dimensions in mm

Shell size	B	C	D	E Dia	F	L	Y Dia	X threads in inches
8	1.58	20.75	15.09	3.05	11.30	24.84	12.02	7/16-28 UNEF
10	1.58	23.93	18.26	3.05	11.30	24.84	14.99	9/16-24 NEF
12	1.58	26.32	20.63	3.05	11.30	24.84	19.05	11/16-24 NEF
14	1.58	28.70	23.10	3.05	11.30	24.84	22.23	13/16-20 UNEF
16	1.58	31.07	24.61	3.05	11.30	24.84	25.40	15/16-20 UNEF
18	1.58	33.45	26.58	3.05	11.30	24.84	28.58	1 1/16-18 NEF
20	2.03	36.63	29.36	3.05	14.10	26.62	31.75	1 3/16-18 NEF
22	2.03	39.80	31.75	3.05	14.10	26.62	34.93	1 5/16-18 NEF
24	2.03	42.98	34.93	3.74	14.99	26.62	38.10	1 7/16-18 NEF

RPT 11

Cable Mounting

Solder Contacts



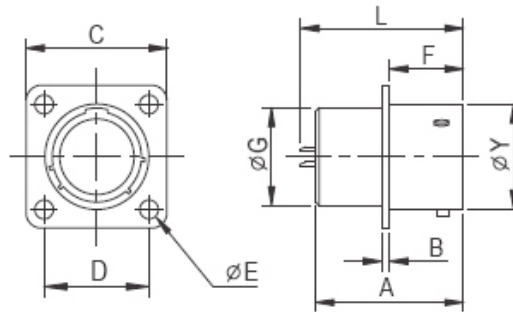
All dimensions in mm

Shell size	B	C	F	L	Y Dia	X thread in inches
8	2.39	20.75	10.54	24.84	12.03	7/16-28 UNEF
10	2.39	23.93	10.54	24.84	14.99	9/16-24 NEF
12	2.39	26.32	10.54	24.84	19.05	11/16-24 NEF
14	2.39	28.70	10.54	24.84	22.23	13/16-20 UNEF
16	2.39	31.07	10.54	24.84	25.40	15/16-20 UNEF
18	2.39	33.45	10.54	24.84	28.58	1 1/16-18 NEF
20	2.59	36.63	13.59	26.62	31.75	1 3/16-18 NEF
22	2.59	39.80	13.59	26.62	34.93	1 5/16-18 NEF
24	2.59	42.98	14.53	26.62	38.10	1 7/16-18 NEF

RPT 12 A

Box Mounting Receptacle

Solder Contacts



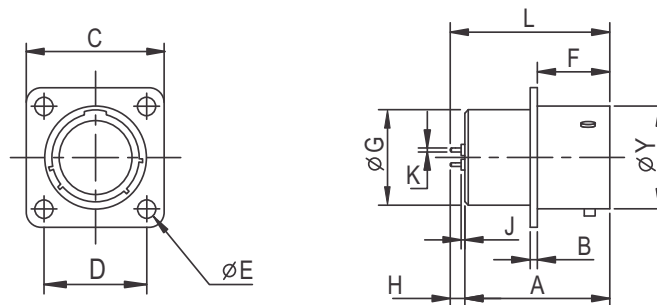
All dimensions in mm

Shell size	B	C	D	E Dia	F	G Dia	Y Dia	A	L
8	1.58	20.75	15.09	3.05	11.30	11.02	12.02	20.32	24.84
10	1.58	23.93	18.26	3.05	11.30	14.17	14.99	20.32	24.84
12	1.58	26.32	20.63	3.05	11.30	17.35	19.05	20.32	24.84
14	1.58	28.70	23.10	3.05	11.30	20.52	22.23	20.32	24.84
16	1.58	31.07	24.61	3.05	11.30	23.70	25.40	20.32	24.84
18	1.58	33.45	26.58	3.05	11.30	26.85	28.58	20.32	24.84
20	2.03	36.63	29.36	3.05	14.10	30.02	31.75	22.23	26.62
22	2.03	39.80	31.75	3.05	14.10	30.02	34.93	22.23	26.62
24	2.03	42.98	34.93	3.74	14.99	36.37	38.10	22.23	26.62

RPT 12 Y

Box Mounting Receptacle

PCB Contacts



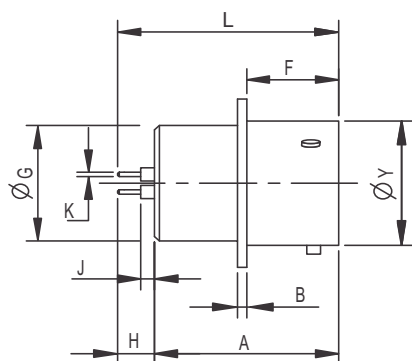
All dimensions in mm

Shell size	B	C	D	E Dia	F	G Dia	Y Dia	A	L	Different dimensions only on request					
										H		J	K		L
										min	max		min	max	
8	1.58	20.75	15.09	3.05	11.30	11.02	12.02	20.32	24.84	4.22	5.03	2.26	0.70	0.76	24.95
10	1.58	23.93	18.26	3.05	11.30	14.17	14.99	20.32	24.84	4.22	5.03	2.26	0.70	0.76	24.95
12	1.58	26.32	20.63	3.05	11.30	17.35	19.05	20.32	24.84	4.22	5.03	2.26	0.70	0.76	24.95
14	1.58	28.70	23.10	3.05	11.30	20.52	22.23	20.32	24.84	4.22	5.03	2.26	0.70	0.76	24.95
16	1.58	31.07	24.61	3.05	11.30	23.70	25.40	20.32	24.84	4.22	5.03	2.26	0.70	0.76	24.95
18	1.58	33.45	26.58	3.05	11.30	26.85	28.58	20.32	24.84	4.22	5.03	2.26	0.70	0.76	24.95
20	2.03	36.63	29.36	3.05	14.10	30.02	31.75	22.23	26.62	3.89	4.70	1.93	0.70	0.76	26.85
22	2.03	39.80	31.75	3.05	14.10	30.02	34.93	22.23	26.62	3.89	4.70	1.93	0.70	0.76	26.85
24	2.03	42.98	34.93	3.74	14.99	36.37	38.10	22.23	26.62	3.89	4.70	1.93	0.70	0.76	26.85

RPT 12 Y1

Box Mounting Receptacle

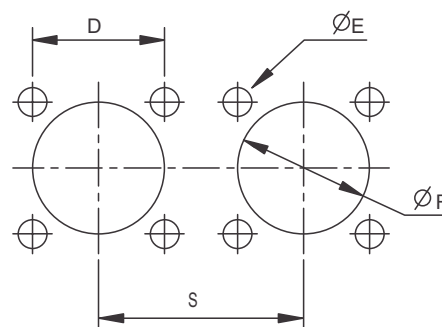
PCB Contacts



All dimensions in mm

Shell size	A	H		J	K		L
		min	max		min	max	
8	20.32	7.95	8.00	4.60	0.70	0.76	28.32
10	20.32	7.95	8.00	4.60	0.70	0.76	28.32
12	20.32	7.95	8.00	4.60	0.70	0.76	28.32
14	20.32	7.95	8.00	4.60	0.70	0.76	28.32
16	20.32	7.95	8.00	4.60	0.70	0.76	28.32
18	20.32	7.95	8.00	4.60	0.70	0.76	28.32
20	22.23	7.95	8.00	4.60	0.70	0.76	30.23
22	22.23	7.95	8.00	4.60	0.70	0.76	30.23
24	22.23	7.95	8.00	4.60	0.70	0.76	30.23

Mounting Data / Panel Cut-Out
Wall Mounting Receptacle



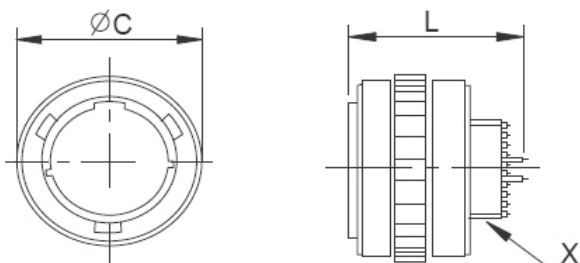
All dimensions in mm

Shell size	D	E Dia	R Dia	S
8	15.09	3.05	14.42	31.73
10	18.29	3.05	17.53	34.52
12	20.75	3.05	21.84	38.89
14	23.11	3.05	25.15	42.06
16	24.64	3.05	28.19	45.24
18	26.92	3.05	31.49	48.03
20	29.46	3.05	35.54	51.59
22	31.75	3.05	37.85	52.76
24	35.05	3.05	41.15	57.84

RPT 16

Straight Plug

Solder Contacts

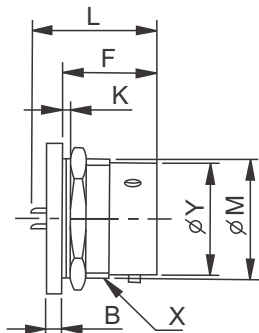


All dimensions in mm

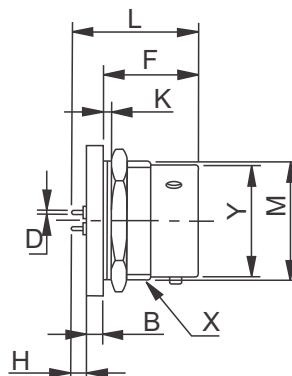
Shell size	C Dia	L	X in inches
8	19.05	24.79	7/16-28 UNEF
10	21.82	24.79	9/16-24NEF
12	26.19	24.79	11/16-24 NEF
14	29.36	24.79	13/16-20 UNEF
16	32.54	24.79	15/16-20 UNEF
18	35.33	24.79	11/16-18 NEF
20	38.89	26.79	1 3/16-18 NEF
22	42.06	26.79	1 5/16-18 NEF
24	45.14	26.79	1 7/16-18 NEF

RPT 17 A - RPT 17 Y - RPT 17 E

Jam Nut Receptacle for Solder and PCB Contacts



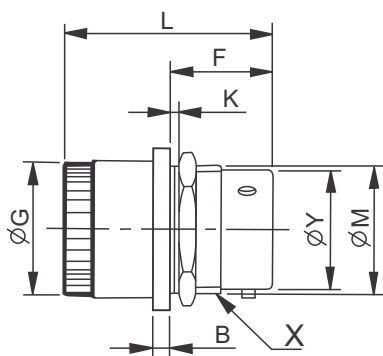
Style 17A
Solder Contacts



Style 17Y
PCB Contact Termination

All dimensions in mm

Shell size	B	C	D		F	H		J	K Panel Thickness		Style 17A L	Style 17Y (219) L	M Dia.	Y Dia.	X Thread in inches
			Min.	Max.		Min.	Max.		Min.	Max.					
8	2.97	23.93	0.70	0.76	17.93	3.38	4.40	19.05	1.58	3.18	24.84	24.84	13.39	12.03	9/16-24 NEF
10	2.97	27.10	0.70	0.76	17.93	3.38	4.40	22.23	1.58	3.18	24.84	24.84	16.56	14.99	1/16-24 NEF
12	2.97	31.88	0.70	0.76	17.93	3.38	4.40	26.98	1.58	3.18	24.84	24.84	20.70	19.05	7/8-20 UNEF
14	2.97	35.05	0.70	0.76	17.93	3.38	4.40	30.15	1.58	3.18	24.84	24.84	23.85	22.23	1-20 UNEF
16	2.97	38.23	0.70	0.76	17.93	3.38	4.40	33.32	1.58	3.18	24.84	24.84	27.00	25.40	1 1/8-18 NEF
18	2.97	41.40	0.70	0.76	17.932	3.38	4.40	36.50	1.58	3.18	24.84	24.84	30.18	28.58	1 1/4-18 NEF
20	3.76	46.15	0.70	0.76	22.71	3.38	4.40	38.68	1.58	6.35	26.62	30.35	33.35	31.75	1 3/8-18 NEF
22	3.76	49.33	0.70	0.76	22.71	3.38	4.40	42.85	1.58	6.35	26.62	30.35	36.53	34.93	1 1/2-18 NEF
24	3.76	52.50	0.70	0.76	23.55	3.38	4.40	46.05	1.58	6.35	26.62	30.35	39.70	38.10	1 5/8-18 NEF

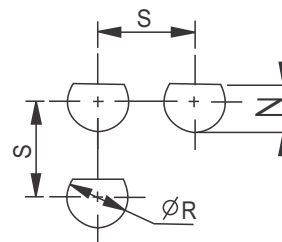


Style 17E

All dimensions in mm

Shell size	G Dia.	L
8	18.11	34.40
10	21.29	34.40
12	24.46	34.40
14	27.63	34.40
16	30.81	34.40
18	33.98	34.40
20	37.16	40.70
22	40.33	40.70
24	43.51	52.0

Mounting Data / Panel Cut-Out Wall Mounting Receptacle



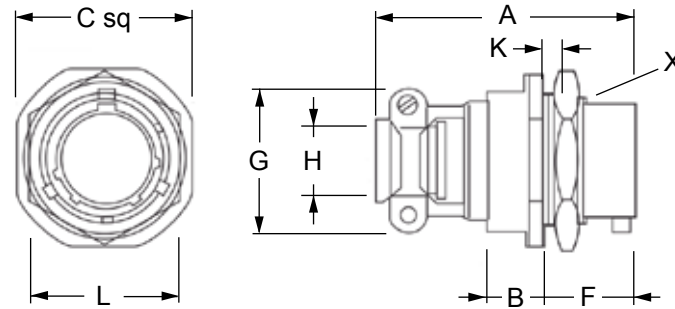
All dimensions in mm

Shell size	N	R Dia.	S
8	13.72	14.53	31.75
10	16.89	17.70	34.52
12	21.03	22.48	38.89
14	24.18	25.65	42.06
16	27.33	28.83	45.24
18	30.50	32.00	48.03
20	33.68	35.18	51.59
22	36.86	38.35	54.76
24	40.03	41.45	57.84

RPT 17 F

Jam Nut Receptacle

Single hole mounting with grommet with integral strain relief clamp has panel 'O' ring seal



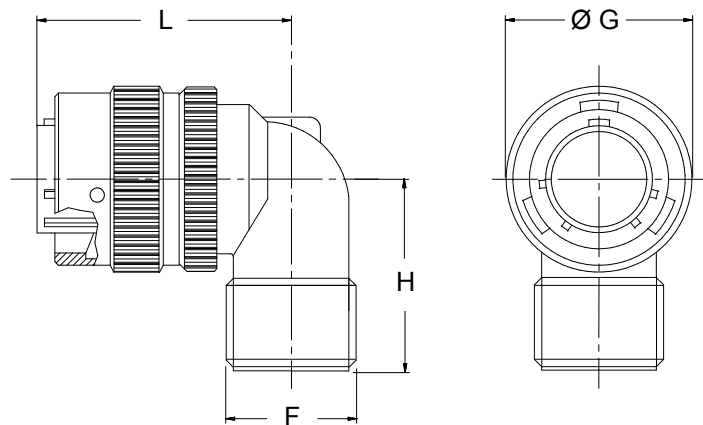
All dimensions in mm

Shell Size	A Max.	B (±0.13)	C sq. Max.	F (±0.13)	Ø G Max.	H (±0.13)	K min	L	X Thread in inches
8	44.75	2.97	23.93	17.93	21.03	3.96	1.58	3.17	9 / 16 - 24 NEF
10	44.75	2.97	27.10	17.93	22.63	4.78	1.58	22.23	11 / 16 - 124 NEF
12	44.75	2.97	31.88	17.93	25.81	7.93	1.58	26.98	7 / 8 - 20 UNEF
14	47.65	2.97	35.05	17.93	28.97	9.35	1.58	30.15	1 - 20 UNEF
16	47.65	2.97	38.23	17.93	30.56	12.7	1.58	33.32	1.1 / 8 - 18 NEF
18	47.65	2.97	41.40	17.93	36.22	15.88	1.58	36.50	1.4 / 8 - 18 NEF
20	53.80	3.76	46.15	22.71	36.22	15.88	1.58	38.68	1.3 / 8 - 18 NEF
22	53.80	3.76	49.33	22.71	39.80	19.05	1.58	42.85	1.1 / 2 - 18 NEF
24	57.15	3.76	52.50	23.55	44.07	20.32	1.58	46.05	1.5 / 8 - 18 NEF

RPT 18 A

90° Plug Connector Supplied without Grommet

Plug with 90° backshell for cable clamp MS3057-A/B/C



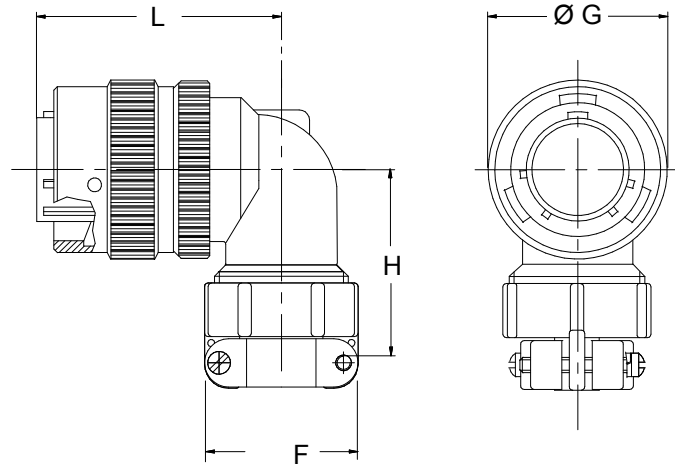
All dimensions in mm

Shell Size	F Thread in inches	G Max.	H ±0.1	L ±0.1
8	.5000 - 28 UNEF	19.05	19.0	32.0
10	.6250 - 24 UNEF	21.80	24.0	32.0
12	.7500 - 20 UNEF	26.20	27.0	35.0
14	.8750 - 20 UNEF	29.40	28.0	38.0
16	1.0000 - 20 UNEF	32.55	30.0	41.0
18	1.1875 - 18 UNEF	35.35	32.0	44.0
20	1.1875 - 18 UNEF	38.90	34.0	48.0
22	1.4375 - 18 UNEF	42.10	36.0	51.0
24	1.4375 - 18 UNEF	45.10	39.0	56.0

RPT 18 F

90° Plug Connector with Strain Relief A and Environmental Sealing Grommet

Plug with 90° backshell, sealing grommet and 90° Backshell suitable for MS3057/A cable clamp

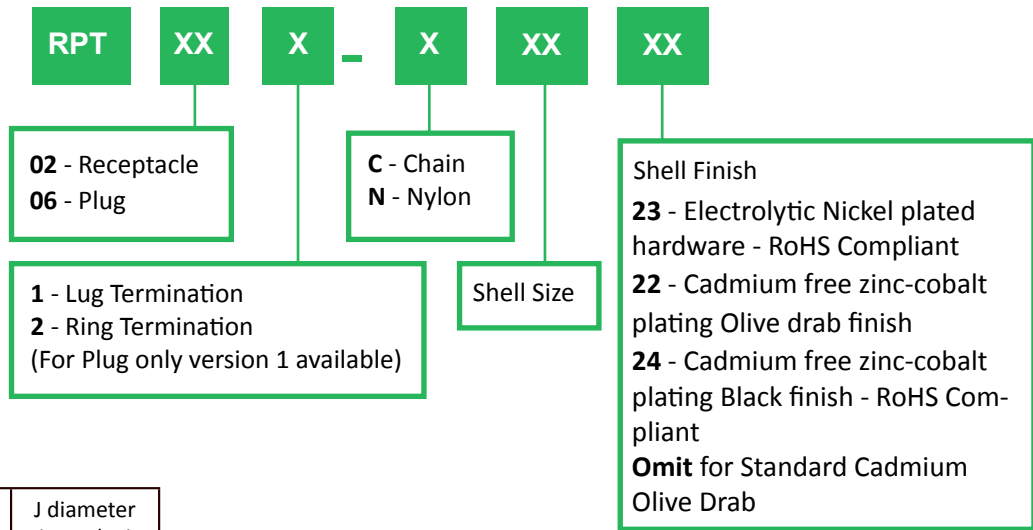


All dimensions in mm

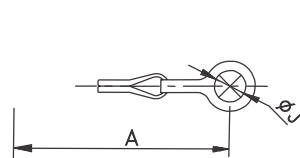
Shell Size	C Max.	G Max.	H ±0.1	L ±0.1
8	17.5	19.05	37.0	32.0
10	22.0	21.80	37.0	32.0
12	27.0	26.20	40.0	35.0
14	28.0	29.40	43.0	38.0
16	33.0	32.55	50.0	41.0
18	35.0	35.35	50.0	44.0
20	35.0	38.90	50.0	48.0
22	43.0	42.10	53.0	51.0
24	43.0	45.10	53.0	56.0

Accessories

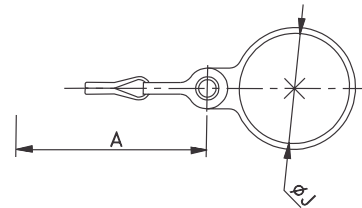
Metallic Dust Cover



SHELL SIZE	J diameter (+0,2 / -0)
8	14.7
10	17.85
12	22.65
14	25.80
16	29.0
18	32.15
20	35.35
22	38.5
24	41.0

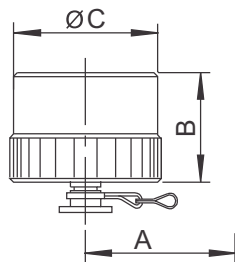


1 - Lug Termination

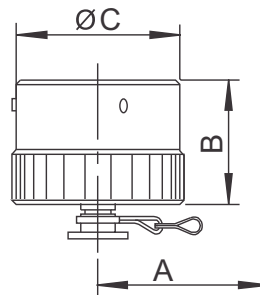


2 - Ring Termination

Cap For Receptacle



Cap For Plug



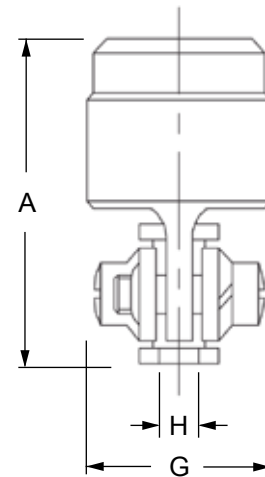
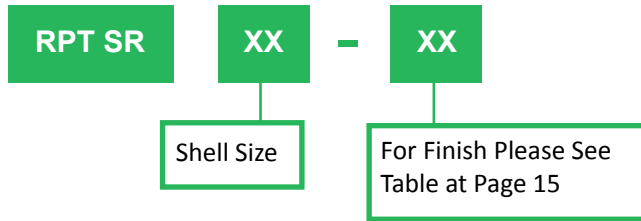
All dimensions in mm

Shell size	A chain / cord length	B		C Dia
		for receptacles	for plugs	
8	76.20	15.21	15.03	19.00
10	76.20	15.21	15.03	21.80
12	88.90	15.21	15.03	26.20
14	88.90	15.21	15.03	29.40
16	88.90	15.21	15.03	32.50
18	88.90	15.21	15.03	35.30
20	101.60	15.21	15.03	38.90
22	101.60	15.21	15.03	42.00
24	101.60	15.21	15.03	45.00

For All Finishes Please See the Table at the top of this Page

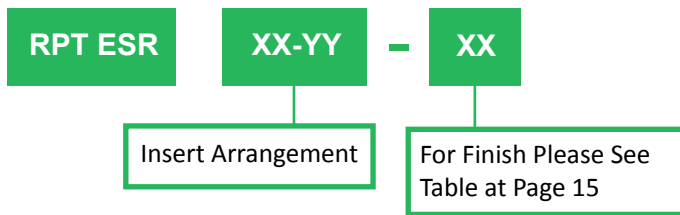
Strain Relief Clamp without Grommet

RPT SR XX - XXX



Strain Relief Clamp with Grommet

RPT ESR - XX XXX

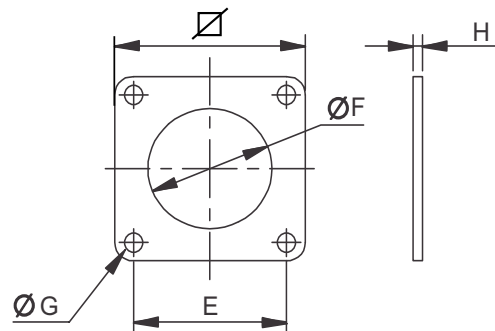
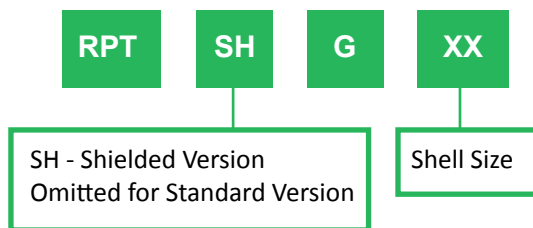


All dimensions in mm

Shell size	A max	G max	H max
8	25.17	21.03	4.09
10	25.17	22.63	4.90
12	25.17	25.81	8.05
14	24.51	28.98	9.65
16	28.07	30.56	12.83
18	28.07	36.22	16.00
20	32.64	36.22	16.00
22	32.64	39.80	19.18
24	34.88	44.07	20.45

Flange Mounting Gasket

RPT G XX and RPT SH G XX



All dimensions in mm

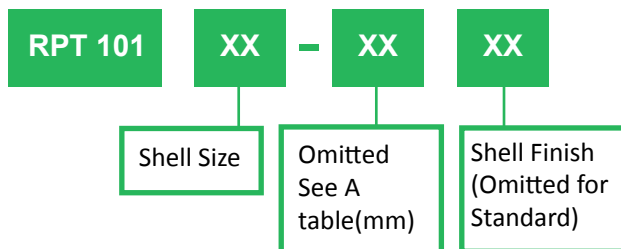
Shell size	D	E	F Dia	G Dia	H max
8	20.62	15.08	12.90	3.30	1.06
10	23.82	18.26	16.07	3.30	1.06
12	26.18	20.65	19.25	3.30	1.06
14	28.57	23.01	22.42	3.30	1.06
16	30.96	24.61	25.60	3.30	1.06
18	33.32	27.00	28.77	3.30	1.06
20	36.52	29.36	31.95	3.30	1.06
22	39.70	31.75	35.13	3.30	1.06
24	42.87	34.92	38.30	3.96	1.06

For All Finishes Please See the Table at Page 15

RPT CONNECTOR SERIES - ACCESSORIES

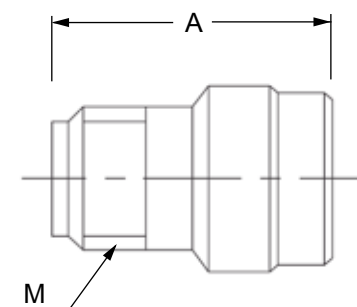
Backshell

RPT 101 XX - XX XXX



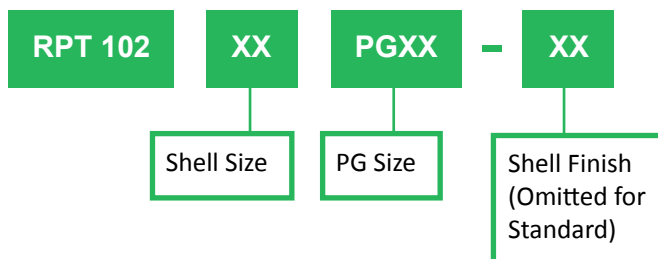
All dimensions in mm

Shell Size	A max	M Thread in inches
8	23.80	1/2-28 UNEF
10	23.80	5/8-24 NEF
12	23.80	3/4-20 UNEF
14	23.80	7/8-20 UNEF
16	23.80	1-20 UNEF
18	23.80	1 3/16-18 NEF
20	23.80	1 3/16-18 NEF
22	23.80	1 7/16-18 NEF
24	23.80	1 7/16-18 NEF



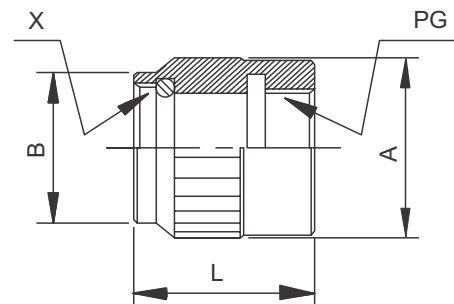
PG Adaptor

RPT 102 XX PG



All dimensions in mm

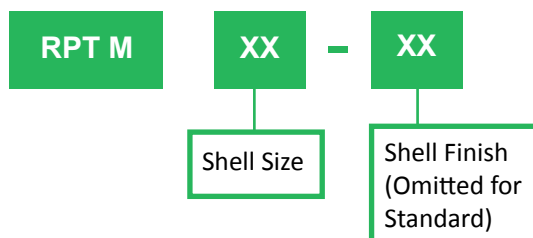
For shell size	X Thread in inches	A	B	L	PG Thread
8	7/16-28 UNEF	16.50	14.50	20.00	PG7
10	9/16-24 NEF	22.00	17.70	20.00	PG9
12	11/16-24 NEF	22.00	21.00	20.00	PG9
14	13/16-20UNEF	28.00	23.50	25.00	PG13.5
16	15/16-20 UNEF	29.00	27.80	30.00	PG 9
18	1/16-18 NEF	31.50	31.00	35 .00	PG16
20	13/16-18 NEF	35 .00	34.00	40.00	Pg21
24	17/16-18 NEF	41.50	40.50	40.00	PG16



For All Finishes Please See the Table at Page 15

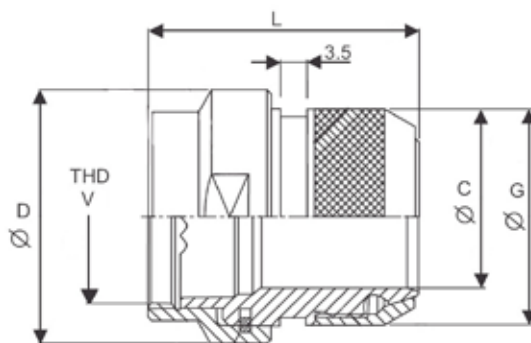
RPT M - Adaptor for Shielded Cables

RPT M XX - XXX

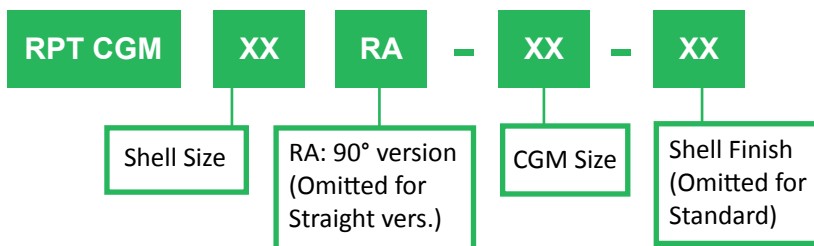


All dimensions in mm

SIZE	'V' THD. UNEF-2B	∅ C MIN.	∅ D MAX.	∅ G +0.5 -0.0	L MAX.	SW -0.2	RECOMMENDED TORQUE'S (Nm)
08	7/16 -28	6.6	20	16	36	18	4 +0.50
10	9/16 -24	9.2	23	18	36	21	6 +0.50
12	11/16 -24	12.2	27	22	36	24	8+1.0
14	13/16 -20	15.2	30	25	37	28	10+1.0
16	15/16 -20	18.3	33	28		31	
18	1 1/16 -18	20.0	36	32		34	13+1.0
20	1 3/16 -18	23.0	40	34		37	
22	1 5/16 -18	26.0	43	38		41	
24	1 7/16 -18	28.8	46	41	37	44	

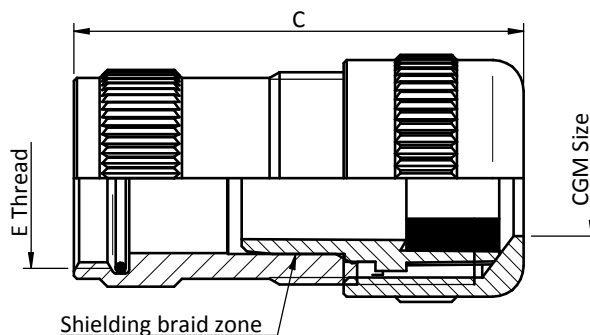


CGM Backshell (for Shielded or Unshielded Cables)



All dimensions in mm

Shell Size	C (Max)	Available CGM (Note 1)	E Thread (for Straight)	E Thread (for 90°)
8	30.0	11	7/16" - 28 NEF	1/2" - 28 UNEF
10		11	9/16" - 24 NEF	5/8" - 24 NEF
12		11	11/16" - 24 NEF	3/4" - 28 UNEF
14	25.0 (90°)	11	13/16" - 20 NEF	7/8" - 20 UNEF
16		11	15/16" - 20 NEF	1/20" UNEF
18	35.0	11 / 18	1 1/16" - 20 UNEF	1 3/16" - 18 NEF
20		18	1 3/16" - 18 UNEF	1 3/16" - 18 NEF
22		18	1 5/16" - 18 NEF	1 7/16" - 18 NEF
24		18 / 21 / 24	1 7/16" - 18 UNEF	1 7/16" - 18 NEF



CGM Size	Cable Range (mm)
11	3 to 11
18	10 to 18
21	15 to 21
24	19 to 24

Note 1: Different non standard CGM sizes available, please contact factory

For All Finishes Please See the Table at Page 15



R.E.C.

The New Connector Company



R.E.C. Headquarter

Viale A. De Gasperi 101/103
20017 Mazzo di Rho - Milan - Italy
Tel. +39 02 93909018 - Fax +39 02 93901089
e-mail: sales@recitalia.it
www.recitalia.it



R.E.C. App for Android and Iphone.

Please turn your smartphone display over the QR Code on the left.
Automatically connecting to the R.E.C. Website and Product Library Download
Page. Consult every Technical Information and quickly enjoy all about R.E.C.
Connector Production and Distribution.

R.E.C. Authorized Reseller